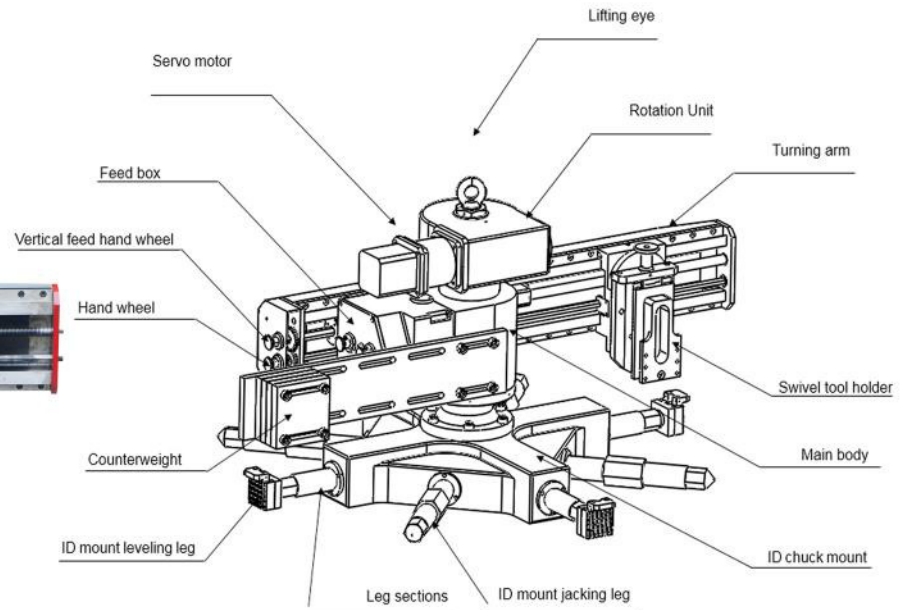
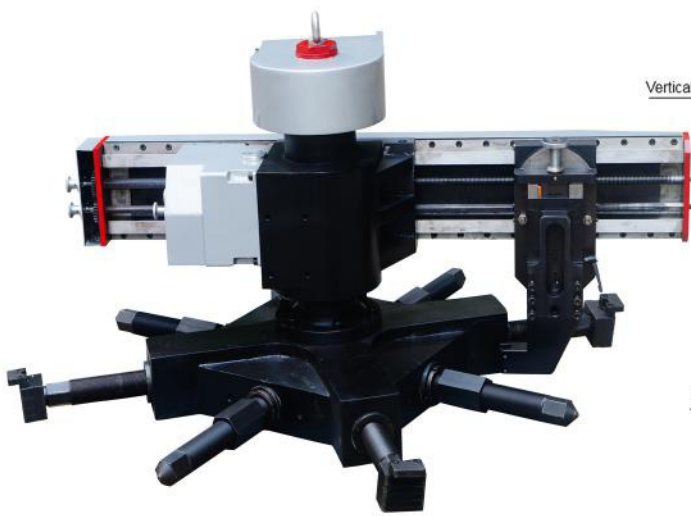


PFF 3000 Portable Flange Facer



- **Min facing diameter:** 1000 mm
- **Max facing diameter:** 3000 mm
- **RPM:** 0 - 35
- **Tool Post Travel:** 100 mm
- **Feed Rates:** 0.16 / 0.28 / 0.46 mm/rev
- **Power Options:** Servo 3kw / Pneumatic 3.6 kw / Hydraulic Unit 25HP

Industries:

- Construction
- Mining
- Power Plants
- Ship building and Marine
- Petrochemical
- Pulp and paper Mills
- Fabricators

Common Applications:

- Piping flanges
- Valve flanges
- Heat exchanger flanges
- Vessel flanges
- Pump housing flanges
- Bearing mount bases
- Crane pedestal flanges.
- Final drive hubs
- Mining equipment
- Slew rings

PFF 3000 Portable Flange Facer



Servo Motor



Power: 3 kw
Reduction: 3: 1

Pneumatic Motor



Power: 3.6kw

Hydraulic Power Unit



Remote control box can achieve safe operation up to a distance of 5 metres. Voltage of control wire is 24V.

1	Hydraulic power unit, 10HP(7.5KW),38L/min
2	Hydraulic power unit, 15HP(11KW), 38L/min
3	Hydraulic power unit, 20HP(15KW), 60L/min
4	Hydraulic power unit, 25HP(18.5KW), 60L/min

Standard Equipment

Main body	1 Set
Turning arm	1 Set
Rotation Unit	1 Set
Feed box	1 Set
Counterweight	2 Set
ID chuck mount	2 Set
ID mount jacking leg	4 Pcs
ID mount leveling leg	4 Pcs
Leg sections	1 Set
Servo motor	1 Set
Hand wheel	1 Pcs
Manual	1 Set
Tool Pack	1 Set
Packing list	1 Set
Packing case	1 Set

Standard Equipment

Main body	1 Set
Turning arm	1 Set
Rotation Unit	1 Set
Feed box	1 Set
Counterweight	2 Set
ID chuck mount	2 Set
ID mount jacking leg	4 Pcs
ID mount leveling leg	4 Pcs
Leg sections	1 Set
Pneumatic motor	1 Set
Hand wheel	1 Pcs
Manual	1 Set
Tool Pack	1 Set
Packing list	1 Set
Packing case	1 Set

Standard Equipment

Main body	1 Set
Turning arm	1 Set
Rotation Unit	1 Set
Feed box	1 Set
Counterweight	2 Set
ID chuck mount	2 Set
ID mount jacking leg	4 Pcs
ID mount leveling leg	4 Pcs
Leg sections	1 Set
Hydraulic unit	1 Set
Hand wheel	1 Pcs
Manual	1 Set
Tool Pack	1 Set
Packing list	1 Set
Packing case	1 Set

Note: The above configuration list is recommended by INSITOOLS, using the specific parameters of the check on the right hand side of the table, if the configuration is not met