

REVISION	
1	
2	
3	3891
4	
5	
6	
7	
8	
9	
10	
11	
12	
13	
14	
15	
16	
17	
18	
19	
20	

ITEM 47 NO LONGER REQUIRED IF  
ITEM 15 IS REPLACED

**IMPORTANT**

WHEN ORDERING SPARES YOU MUST STATE THE FULL PART NUMBER AND THE  
PRODUCT SERIAL NUMBER - FROM THE LABEL  
TO PROTECT YOUR WARRANTY ALWAYS USE GENUINE HI-FORCE PARTS.

# ONLY AVAILABLE AS AN ASSEMBLY  
BUT SPARE BALLS SPRING AND CLIP  
INCLUDED IN SERVICE KIT

[www.hi-force.com](http://www.hi-force.com)

ITEM NO.	PART NUMBER	DESCRIPTION	QTY.
1	TTC370BA001	BODY	1
2	TTC370AA001	COVER PLUG	2
3	*	PLUG	1
4	*	GRUB SCREW	2
5	*	5mm BALL	1
6	TTC370FS002	SLEEVE	2
7	TTC370FB001	BEARING	2
8	*	SPIRAL RING	2
9	TTC370DS001	SQUARE DRIVE	1
10	TTA370LA001	RELEASE BUTTON ASSY	1
11	TTC370WS001	RATCHET WHEEL	1
12	TTC370CS001	DRIVE PLATE	1
13	TTC370PS001	PAWL	1
14	*	SPRING	2
15	TTC370JS001	PIVOT PIN	1
16	*	CUP PT SCREW	2
17	TTC370ES001	END PLUG	1
18	*	BACK UP RING	1
19	*	O - RING	1
20	*	PISTON SEAL	1
21	TTA370NS001	PISTON ASSEMBLY	1
22	*	LIP SEAL	1
23	*	O - RING	1

ITEM NO.	PART NUMBER	DESCRIPTION	QTY.
24	TTC370GB001	GLAND	1
25	*	BUTTON HEAD SCREW	4
26	TTC370LS001	SHROUD	1
27	TTC370KS001	SPLINE SLEEVE	1
28	TTC370QA002	REACTION ARM	1
29	TTC370ES002	END CAP	1
30	*	SKT CSK SCREW	2
31	*	SPRING	1
32	TTC370JS002	LATCH PIN	1
33	TTC370AS001	PLUG	1
34	TTC370JS003	RELEASE	1
35	*	O- RING	2
36	TTC100SA001	MALE SWIVEL CONNECTOR	1
37	*	SOCKET CAP HD SCREW	4
38	TTC045SA002	FEMALE SWIVEL CONNECTOR	1
39	*	O- RING	3
40	TTC045SA003	SWIVEL CONNECTOR CAP	1
41	*	SKT CSK SCREW	1
42	CF4F	COUPLER	1
43	CM4F	COUPLER	1
44	HF7	1/4" NPT MALE ADAPTOR	2
45	*	3/16 BALL	1
46	VRA280GB001	SPRING SEAT	1
47	*	SPRING	1

REVISION

1	
2	
3	3891
4	
5	
6	
7	
8	
9	
10	
11	
12	
13	
14	
15	
16	
17	
18	
19	
20	

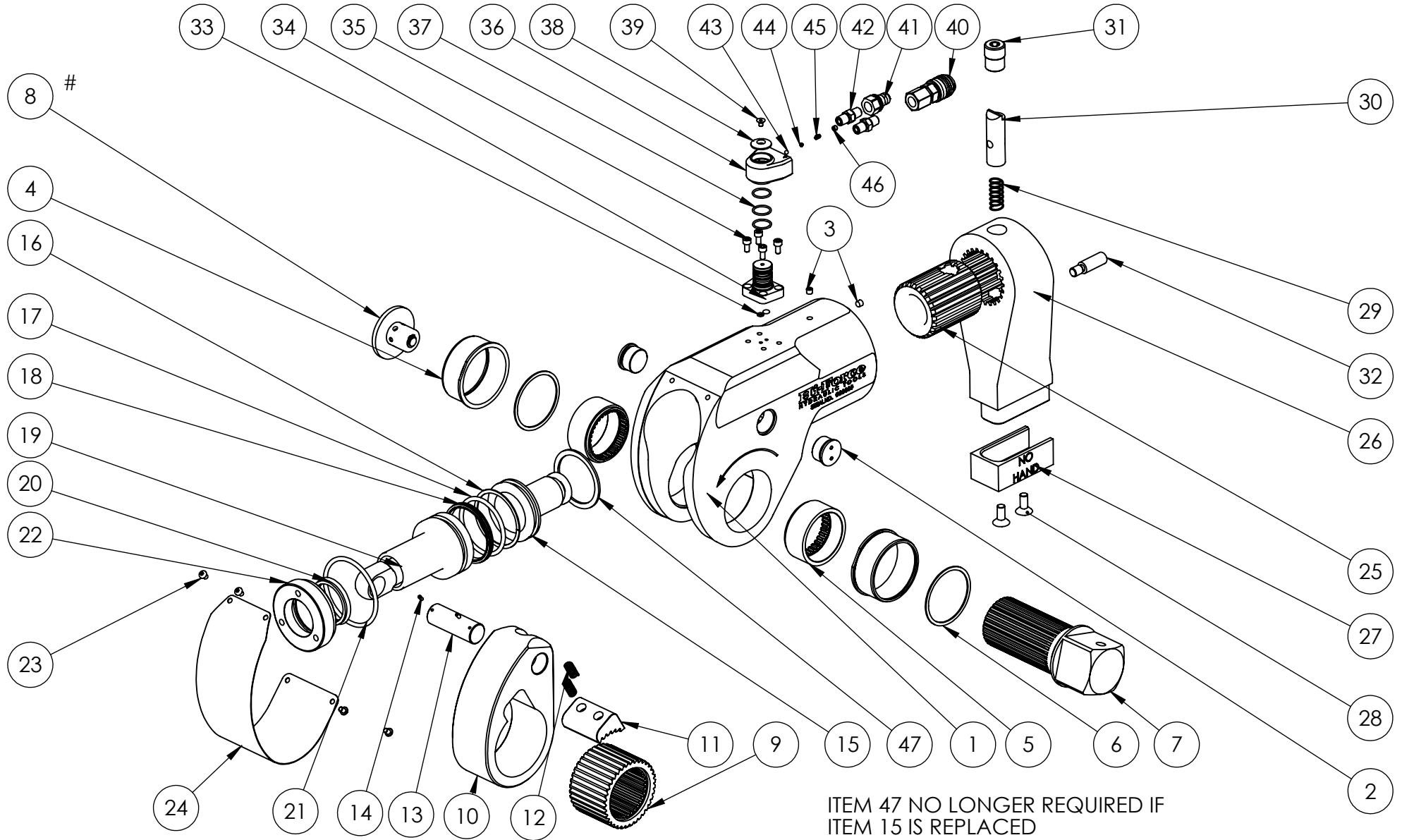
ITEMS MARKED \* ARE AVAILABLE  
IN TWS370NTP2-K SERVICE KIT

NOTE ITEMS 35 AND 39 ARE ALSO AVAILABLE IN  
TWSHTP2-K SWIVEL KIT

GLAND WRENCH (FOR ITEM 24) ATC370PT001  
REACTION ARM ASSEMBLY - COMPLETE TTA370QA001  
SWIVEL ASSEMBLY - COMPLETE TTA100SA001

**IMPORTANT**

WHEN ORDERING SPARES YOU MUST STATE THE FULL PART NUMBER AND THE  
PRODUCT SERIAL NUMBER - FROM THE LABEL  
TO PROTECT YOUR WARRANTY ALWAYS USE GENUINE HI-FORCE PARTS.



REVISION	
1	
2	3891
3	
4	
5	
6	
7	
8	
9	
10	
11	
12	
13	
14	
15	
16	
17	
18	
19	
20	

ITEM 47 NO LONGER REQUIRED IF  
ITEM 15 IS REPLACED

# ONLY AVAILABLE AS AN ASSEMBLY  
BUT SPARE BALLS SPRING AND CLIP  
INCLUDED IN SERVICE KIT

[www.hi-force.com](http://www.hi-force.com)

**IMPORTANT**  
WHEN ORDERING SPARES YOU MUST STATE THE FULL PART NUMBER AND THE  
PRODUCT SERIAL NUMBER - FROM THE LABEL  
TO PROTECT YOUR WARRANTY ALWAYS USE GENUINE HI-FORCE PARTS.

ITEM NO.	PART NUMBER	DESCRIPTION	QTY.
1	TTC370BA001	BODY	1
2	TTC370AA001	COVER PLUG	2
3	*	PLUG	2
4	TTC370FS001	SLEEVE	2
5	TTC370FB001	BEARING	2
6	*	SPIRAL RING	2
7	TTC370DS001	SQUARE DRIVE	1
8	TTA370LA001	RELEASE BUTTON ASSY	1
9	TTC370WS001	RATCHET WHEEL	1
10	TTC370CS001	DRIVE PLATE	1
11	TTC370PS001	PAWL	1
12	*	SPRING	2
13	TTC370JS001	PIVOT PIN	1
14	*	CUP PT SCREW	2
15	TTC370ES001	END PLUG	1
16	*	BACK UP RING	1
17	*	O - RING	1
18	*	PISTON SEAL	1
19	TTA370NS001	PISTON ASSEMBLY	1
20	*	LIP SEAL	1
21	*	O - RING	1
22	TTC370GB001	GLAND	1
23	*	BUTTON HEAD SCREW	4

ITEM NO.	PART NUMBER	DESCRIPTION	QTY.
24	TTC370LS001	SHROUD	1
25	TTC370KS001	SPLINE SLEEVE	1
26	TTC370QA002	REACTION ARM	1
27	TTC370ES002	END CAP	1
28	*	SKT CSK SCREW	2
29	*	SPRING	1
30	TTC370JS002	LATCH PIN	1
31	TTC370AS001	PLUG	1
32	TTC370JS003	RELEASE	1
33	*	O- RING	2
34	TTC100SA001	MALE SWIVEL CONNECTOR	1
35	*	SOCKET CAP HD SCREW	4
36	TTC045SA002	FEMALE SWIVEL CONNECTOR	1
37	*	O- RING	3
38	TTC045SA003	SWIVEL CONNECTOR CAP	1
39	*	SKT CSK SCREW	1
40	CF4F	COUPLER	1
41	CM4F	COUPLER	1
42	HF7	1/4" NPT MALE ADAPTOR	2
43	*	3/16 BALL	1
44	VRA280GB001	SPRING SEAT	1
45	*	SPRING	1
46	*	GRUB SCREW	1
47	WAC082AS001	WASHER	1

REVISION

1	
2	3891
3	
4	
5	
6	
7	
8	
9	
10	
11	
12	
13	
14	
15	
16	
17	
18	
19	
20	

ITEMS MARKED 8 ARFE AVAILABLE  
INTWS370NTP2-K SERVICE KIT

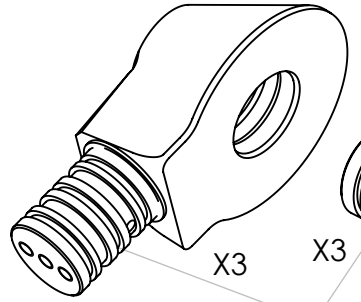
NOTE ITEMS 33 AND 37 ARE ALSO AVAILABLE IN  
TWSHTP2-K SWIVEL KIT

GLAND WRENCH (FOR ITEM 22) ATC370PT001  
REACTION ARM ASSEMBLY - COMPLETE TTA370QA001  
SWIVEL ASSEMBLY - COMPLETE TTA100SA001

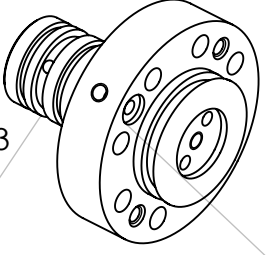
**IMPORTANT**

WHEN ORDERING SPARES YOU MUST STATE THE FULL PART NUMBER AND THE  
PRODUCT SERIAL NUMBER - FROM THE LABEL  
TO PROTECT YOUR WARRANTY ALWAYS USE GENUINE HI-FORCE PARTS.

DO NOT SCALE

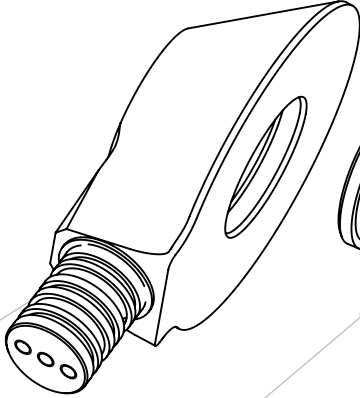


X3



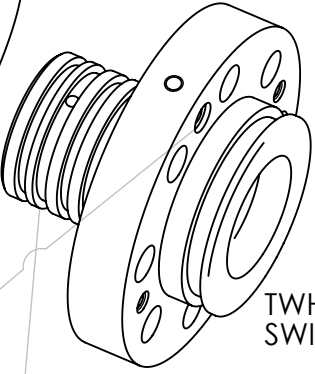
X3

X1



X3

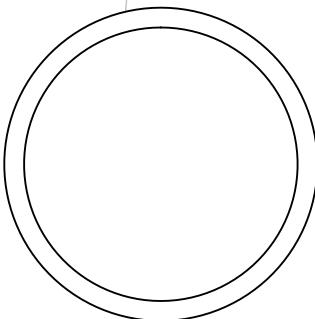
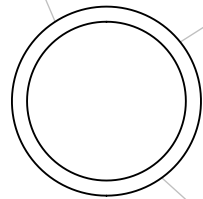
X1



X3

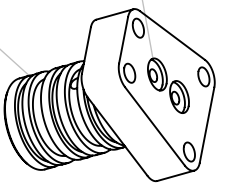
TWH210N  
SWIVEL ASSEMBLY

TWH27N  
TWH54N  
TWH120N  
SWIVEL ASSEMBLY



X3

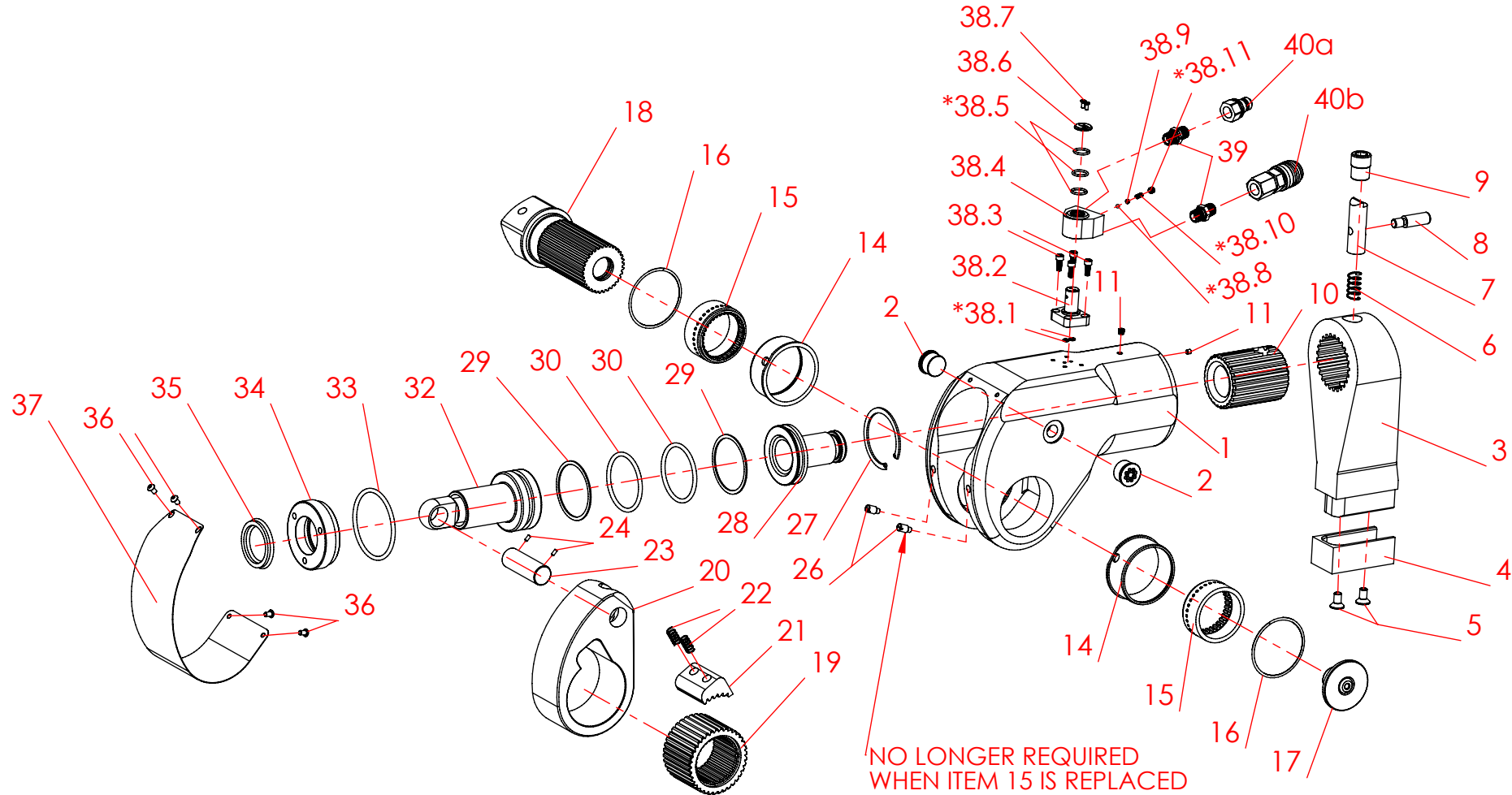
X2



TWS17N  
TWS45N  
TWS100N  
TWS150N  
TWS370N  
TWH430N  
SWIVEL POST

TWSHTP2-K SWIVEL SEAL KIT  
(ALL SERIAL NUMBERS EXCEPT THOSE STARTING WITH "D")

PRINT OUT AT FULL SIZE AND  
USE AS TEMPLATE TO AID  
O-RING IDENTIFICATION



REVISION

1	3891
2	
3	
4	
5	
6	
7	
8	
9	
10	
11	
12	
13	
14	
15	
16	
17	
18	
19	
20	

**IMPORTANT**

WHEN ORDERING SPARES YOU MUST STATE THE FULL PART NUMBER AND THE PRODUCT SERIAL NUMBER - FROM THE LABEL TO PROTECT YOUR WARRANTY ALWAYS USE GENUINE HI-FORCE PARTS.

REF	DESCRIPTION	PART NUMBER	REF	DESCRIPTION	PART NUMBER
1	Housing	TTC370BA001 #	22	Drive Segment Spring	*
2	Housing Threaded Plug	TWS370N-03	23	Drive Pin	TTC370JS001
3	Reaction Arm	TTC370QA002	24	Drive Pin Screw	FAS004ME008
4	Reaction Arm Cover	TTC370ES002	26	Ball Plunger	*
5	Cover Screws	*	27	Circlip	STC080TA001
6	Reaction Arm Spring	*	28	End Plug	TWS370N-41
7	Locking Pin	TTC370JS002	29	Piston Seal	*
8	Retract Button	TTC370JS003	30	O-ring	*
9	Reaction Arm Screw	TTC370AS001	31	Back up ring	*
10	Spline Sleeve	TTC370KS001	32	Piston Rod Assembly	TWS370N-49
11	Housing Screw	*	33	Housing Seal	*
14	Drive Bushing	TWS370N-13	34	Cylinder Gland	TTC370GB001
15	Sleeve	TTC370FB001	35	Gland Seal	*
16	Sleeve Retainer Clip	*	36	Shroud Screw	*
17	Drive Retainer	TTA370LA001	37	Shroud	TWS370N-59
18	Square Drive	TTC370DS001	38	Uniswivel	TTA100SA001
19	Ratchet	TTC370WS001	39	Fitting	HF7
20	Drive Plate	TTC370CS001	40a	Quick Coupler (Male)	CM4F
21	Drive Segment	TTC370PS001	40b	Quick Coupler (Female)	CF4F

REVISION

1 3891

2

3

4

5

6

7

8

9

10

11

12

13

14

15

16

17

18

19

20

GLAND WRENCH (FOR ITEM 34) ATC370PT001  
REACTION ARM ASSEMBLY (COMPLETE) TTC370QA001

# WHEN REPLACING HOUSING, ITEM 2 MUST BE REPLACED ALSO

ITEMS MARKED \* ARE AVAILABLE  
IN TWS370NTP1-K ONLY  
N.B SOME ITEMS NOT SHOWN IN TABLE  
REFER TO DRAWING ALSO

NOTE: ITEMS 38.1 AND 38.5  
ALSO AVAILABLE IN TWSHTP1-K SWIVEL SEAL KIT

**IMPORTANT**

WHEN ORDERING SPARES YOU MUST STATE THE FULL PART NUMBER AND THE  
PRODUCT SERIAL NUMBER - FROM THE LABEL  
TO PROTECT YOUR WARRANTY ALWAYS USE GENUINE HI-FORCE PARTS.

DO NOT SCALE

**WARNING**  
ON TWH210N TOOLS  
WITH THIS TYPE OF SWIVEL IT  
IS STRONGLY RECCOMENDED THAT  
THE WHOLE ASSEMBLY IS REPLACED  
WITH TWH210N-SK ASSEMBLY KIT

