

REVISION	
1	
2	3891
3	3929
4	
5	
6	
7	
8	
9	
10	
11	
12	
13	
14	
15	
16	
17	
18	
19	
20	

# ONLY AVAILABLE AS AN ASSEMBLY  
BUT SPARE BALLS AND SPRINGS  
INCLUDED IN THE SERVICE KIT

[www.hi-force.com](http://www.hi-force.com)

**IMPORTANT**  
WHEN ORDERING SPARES YOU MUST STATE THE FULL PART NUMBER AND THE  
PRODUCT SERIAL NUMBER - FROM THE LABEL  
TO PROTECT YOUR WARRANTY ALWAYS USE GENUINE HI-FORCE PARTS.

ITEM NO.	PART NUMBER	DESCRIPTION	QTY.	ITEM NO.	PART NUMBER	DESCRIPTION	QTY.
1	TTC017BA002	BODY	1	28	HF7	1/4" NPT MALE ADAPTOR	2
2	TTC017WS001	RATCHET WHEEL	1	29	*	CUP PT SCREW	2
3	TTC017FB001	BEARING	2	30	*	CUP PT SCREW	1
4	TTC017GB001	GLAND	1	31	*	PISTON SEAL	1
5	TTC017ES001	END PLUG	1	32	*	SKT CSK SCREW	1
6	TTC017CS002	DRIVE PLATE	1	33	*	O- RING	3
7	TTC017PS001	PAWL	1	34	*	O- RING	2
8	TTC017JS001	PIVOT PIN	1	35	*	GRUB SCREW	1
9	TTC017DS001	SQUARE DRIVE	1	36	*	3/16 BALL	1
10	TTC017LS002	SHROUD	1	37	*	O - RING	1
11	TTC017AA001	COVER PLUG	2	38	*	O- RING	1
12	TTA017NS001	PISTON ASSEMBLY	1	39	*	BACK UP RING	1
13	TTA017LA001	DRIVE RETAINER	1	40	*	LIP SEAL	1
14	TTC017QA002	REACTION ARM	1	41	*	BUTTON HEAD SCREW	2
15	TTC017AS001	PLUG	1	42	*	RETAINING RING	2
16	TTC017KS001	SPLINE SLEEVE	1	43	*	3mm BALL (STEEL)	1
17	TTC017ES002	END CAP	1	44	*	SPRING	2
18	TTC017JS002	LATCH PIN	1	45	*	SOCKET CAP HD SCREW	4
19	TTC017JS003	RELEASE	1	46	*	SKT CSK SCREW	2
20	SPC006CA005	SPRING	1				
21	TTC045SA001	MALE SWIVEL CONNECTOR	1				
22	TTC045SA002	FEMALE SWIVEL CONNECTOR	1				
23	TTC045SA003	SWIVEL CONNECTOR CAP	1				
24	VRA280GB001	SPRING SEAT	1				
25	*	SPRING	1				
26	CF4F	COUPLER	1				
27	CM4F	COUPLER	1				

REVISION	
1	
2	3891
3	3929
4	
5	
6	
7	
8	
9	
10	
11	
12	
13	
14	
15	
16	
17	
18	
19	
20	

COMPLETE REACTION ARM ASSEMBLY AVAILABLE AS TTA017QA001

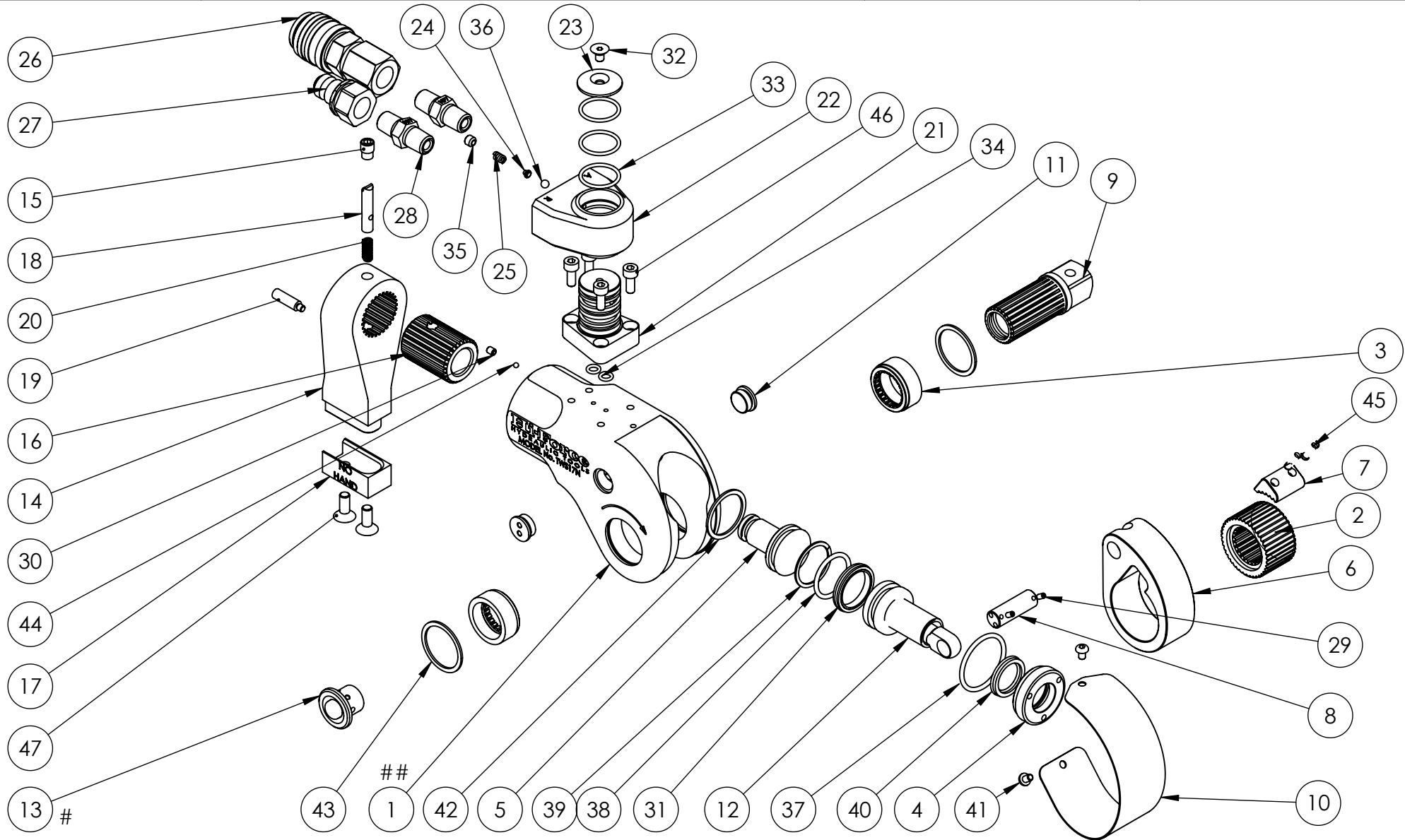
GLAND WRENCH (FOR ITEM 4) ATC017PT001

ITEMS MARKED \* ARE AVAILABLE IN SERVICE KIT TWS17NTP2-K ONLY

ITEMS 33 AND 34 ARE ALSO AVAILABLE IN TWSHTP2-K SWIVEL SEAL KIT

**IMPORTANT**

WHEN ORDERING SPARES YOU MUST STATE THE FULL PART NUMBER AND THE PRODUCT SERIAL NUMBER - FROM THE LABEL TO PROTECT YOUR WARRANTY ALWAYS USE GENUINE HI-FORCE PARTS.



REVISION	
1	
2	3891
3	
4	
5	
6	
7	
8	
9	
10	
11	
12	
13	
14	
15	
16	
17	
18	
19	
20	

# ONLY AVAILABLE AS AN ASSEMBLY  
BUT SPARE BALLS AND SPRINGS  
INCLUDED IN THE SERVICE KIT

## IF ITEM 1 IS REPLACED THEN  
ITEM 42 NO LONGER REQUIRED

[www.hi-force.com](http://www.hi-force.com)

**IMPORTANT**  
WHEN ORDERING SPARES YOU MUST STATE THE FULL PART NUMBER AND THE  
PRODUCT SERIAL NUMBER - FROM THE LABEL  
TO PROTECT YOUR WARRANTY ALWAYS USE GENUINE HI-FORCE PARTS.

ITEM NO.	PART NUMBER	DESCRIPTION	QTY.	ITEM NO.	PART NUMBER	DESCRIPTION	QTY.
1	TTC017BA002	BODY	1	28	HF7	1/4" NPT MALE ADAPTOR	2
2	TTC017WS001	RATCHET WHEEL	1	29	*	CUP PT SCREW	2
3	TTC017FB001	BEARING	2	30	*	CUP PT SCREW	1
4	TTC017GB001	GLAND	1	31	*	PISTON SEAL	1
5	TTC017ES001	END PLUG	1	32	*	SKT CSK SCREW	1
6	TTC017CS002	DRIVE PLATE	1	33	*	O- RING	3
7	TTC017PS001	PAWL	1	34	*	O- RING	2
8	TTC017JS001	PIVOT PIN	1	35	*	GRUB SCREW	1
9	TTC017DS001	SQUARE DRIVE	1	36	*	3/16 BALL	1
10	TTC017LS002	SHROUD	1	37	*	O - RING	1
11	TTC017AA001	COVER PLUG	2	38	*	O- RING	1
12	TTA017NS001	PISTON ASSEMBLY	1	39	*	BACK UP RING	1
13	TTA017LA001	DRIVE RETAINER	1	40	*	LIP SEAL	1
14	TTC017QA002	REACTION ARM	1	41	*	BUTTON HEAD SCREW	2
15	TTC017AS001	PLUG	1	42	*	RETAINING RING	1
16	TTC017KS001	SPLINE SLEEVE	1	43	*	RETAINING RING	2
17	TTC017ES002	END CAP	1	44	*	3mm BALL (STEEL)	1
18	TTC017JS002	LATCH PIN	1	45	*	SPRING	2
19	TTC017JS003	RELEASE	1	46	*	SOCKET CAP HD SCREW	4
20	*	SPRING	1	47	*	SKT CSK SCREW	2
21	TTC045SA001	MALE SWIVEL CONNECTOR	1	<p>COMPLETE REACTION ARM ASSEMBLY AVAILABLE AS TTA017QA001</p> <p>GLAND WRENCH (FOR ITEM 4) ATC017PT001</p> <p>ITEMS MARKED * ARE AVAILABLE IN SERVICE KIT TWS17NTP2-K ONLY</p> <p>ITEMS 33 AND 34 ARE ALSO AVAILABLE IN TWSHTP2-K SWIVEL SEAL KIT</p>			
22	TTC045SA002	FEMALE SWIVEL CONNECTOR	1				
23	TTC045SA003	SWIVEL CONNECTOR CAP	1				
24	VRA280GB001	SPRING SEAT	1				
25	*	SPRING	1				
26	CF4F	COUPLER	1				
27	CM4F	COUPLER	1				

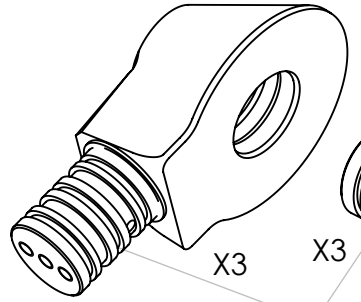
REVISION

1	
2	3891
3	
4	
5	
6	
7	
8	
9	
10	
11	
12	
13	
14	
15	
16	
17	
18	
19	
20	

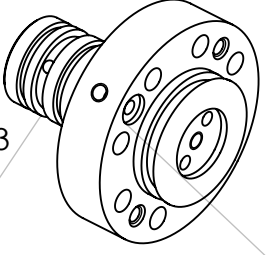
**IMPORTANT**

WHEN ORDERING SPARES YOU MUST STATE THE FULL PART NUMBER AND THE PRODUCT SERIAL NUMBER - FROM THE LABEL TO PROTECT YOUR WARRANTY ALWAYS USE GENUINE HI-FORCE PARTS.

DO NOT SCALE

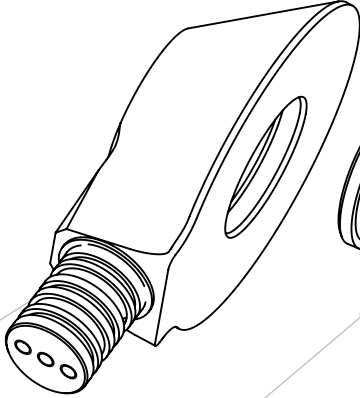


X3



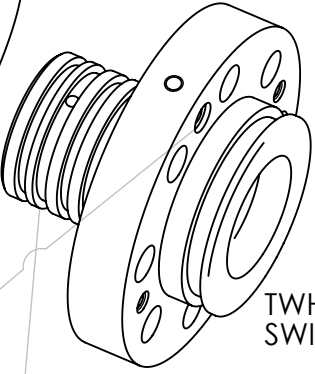
X3

X1



X3

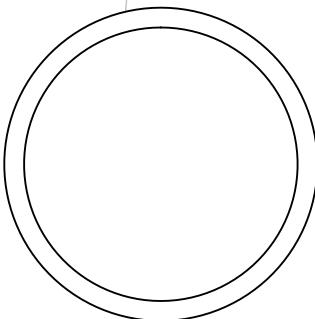
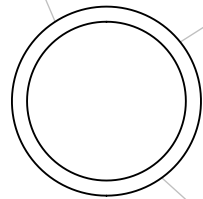
X1



X3

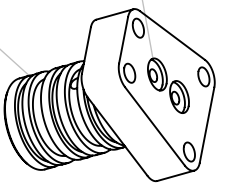
TWH210N  
SWIVEL ASSEMBLY

TWH27N  
TWH54N  
TWH120N  
SWIVEL ASSEMBLY



X3

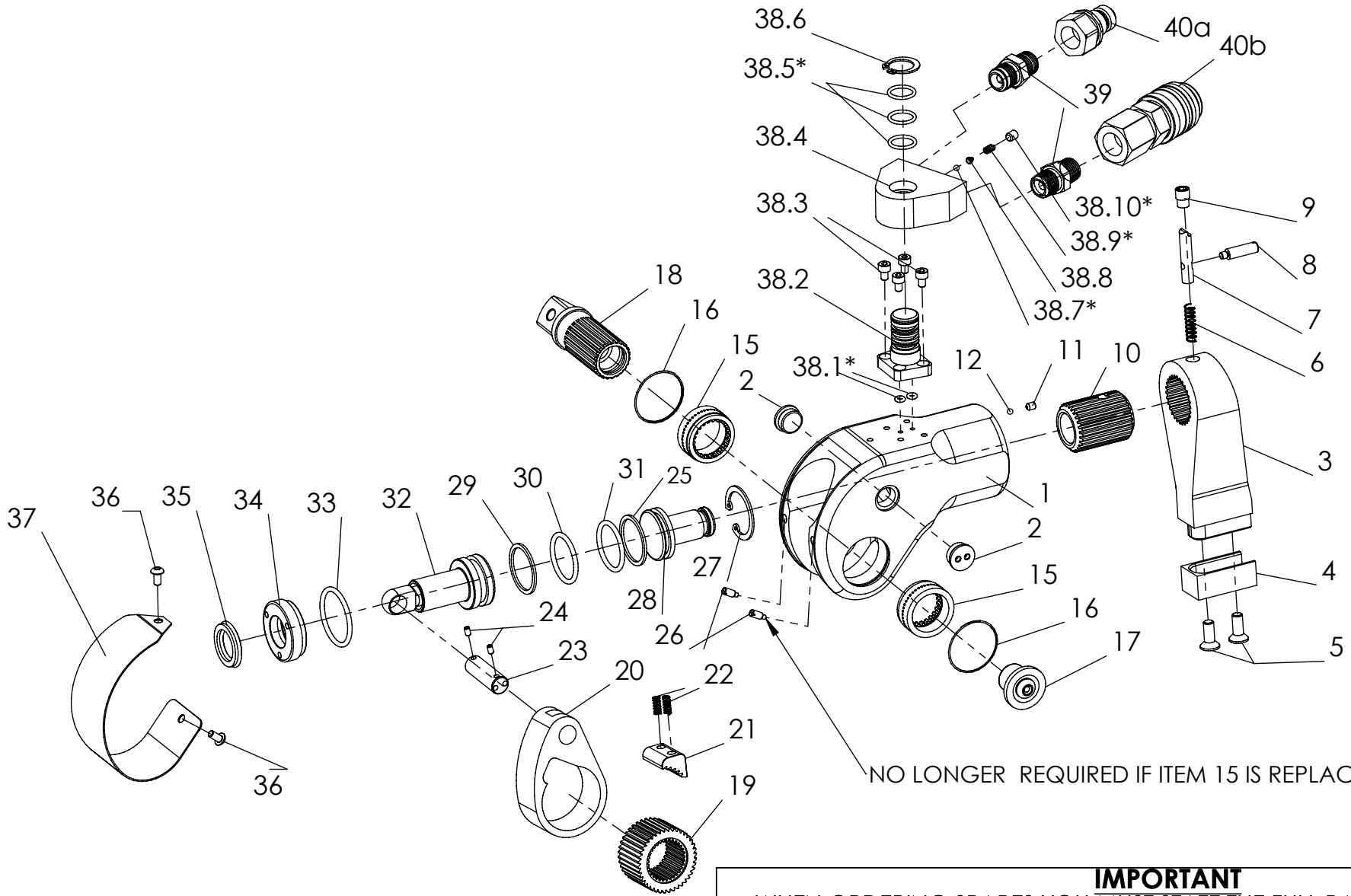
X2



TWS17N  
TWS45N  
TWS100N  
TWS150N  
TWS370N  
TWH430N  
SWIVEL POST

TWSHTP2-K SWIVEL SEAL KIT  
(ALL SERIAL NUMBERS EXCEPT THOSE STARTING WITH "D")

PRINT OUT AT FULL SIZE AND  
USE AS TEMPLATE TO AID  
O-RING IDENTIFICATION



REVISION	
1	3891
2	
3	
4	
5	
6	
7	
8	
9	
10	
11	
12	
13	
14	
15	
16	
17	
18	
19	
20	

NO LONGER REQUIRED IF ITEM 15 IS REPLACED

**IMPORTANT**  
WHEN ORDERING SPARES YOU MUST STATE THE FULL PART NUMBER AND THE PRODUCT SERIAL NUMBER - FROM THE LABEL TO PROTECT YOUR WARRANTY ALWAYS USE GENUINE HI-FORCE PARTS.

REF	Part	Part Number	REF	Part	Part Number
1	Housing	TWS17N-01	23	Drive Pin	TTC017JS001
2	Housing Threaded Plug	TTC017AA001	24	Drive Pin Screw	*
3	Reaction Arm	TTC017QA002	25	Back up ring	*
4	Reaction Arm Cover	TTC017ES002	26	Ball Plunger	*
5	Cover Screws	*	27	Circlip	*
6	Reaction Arm Spring	*	28	End Plug	TWS17N-28
7	Locking Pin	TTC017JS002	29	Back up ring	*
8	Retract Button	TTC017JS003	30	Piston Seal	*
9	Reaction Arm Screw	TTC017AS001	31	End Plug Seal	*
10	Spline Sleeve	TTC017KS001	32	Piston Rod Assembly	TWS17N-32
11	Housing Screw	*	33	Housing Seal	*
12	Steel Ball	*	34	Cylinder Gland	TTC017GB001
15	Sleeve	TTC017FB001	35	Gland Seal	*
16	Sleeve Retainer Clip	*	36	Shroud Screw	*
17	Drive Retainer	TTA017LA001	37	Shroud	TTC017LS001
18	Square Drive	TTC017DS001	38	Uniswivel	TWSN-SC5
19	Ratchet	TTC017WS001	39	Fitting	HF7
20	Drive Plate	TTC017CS001	40a	Quick Coupler (Male)	CM4F
21	Drive Segment	TTC017PS001	40b	Quick Coupler (Female)	CF4F
22	Drive Segment Spring	*		Gland Wrench	ATC017PT001
				Reaction Arm Assy	TTA017QA001

DRAWING CHANGE
1 3891
2
3
4
5
6
7
8
9
10
11
12
13
14
15
16
17
18
19
20

ITEMS MARKED \* ARE AVAILABLE  
IN SERVICE KIT TWS17NTP1-K ONLY  
N.B. SOME KIT ITEMS NOT SHOWN IN TABLE  
REFER TO DRAWING ALSO.

NOTE: ITEMS 38.1 AND 38.5  
ALSO AVAILABLE IN TWSHTP1-K SWIVEL  
SEAL KIT

**IMPORTANT**

WHEN ORDERING SPARES YOU MUST STATE THE FULL PART NUMBER AND THE  
PRODUCT SERIAL NUMBER - FROM THE LABEL  
TO PROTECT YOUR WARRANTY ALWAYS USE GENUINE HI-FORCE PARTS.

DO NOT SCALE

**WARNING**  
ON TWH210N TOOLS  
WITH THIS TYPE OF SWIVEL IT  
IS STRONGLY RECCOMENDED THAT  
THE WHOLE ASSEMBLY IS REPLACED  
WITH TWH210N-SK ASSEMBLY KIT

